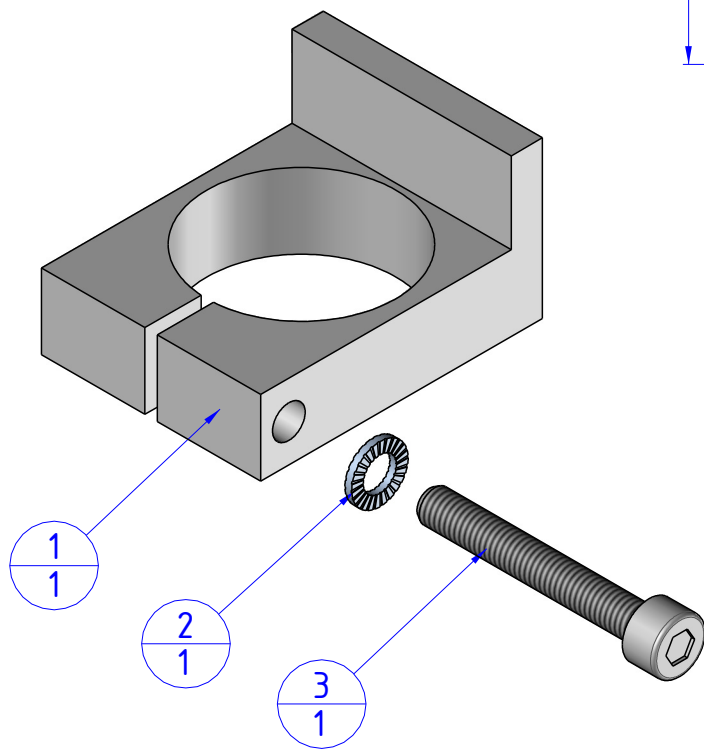
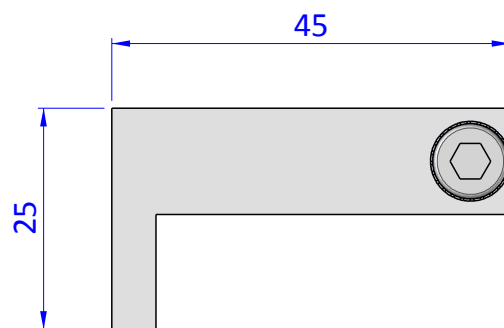
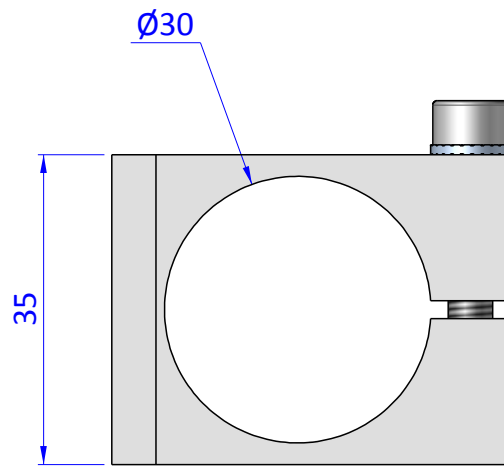

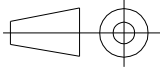


THE PROPERTY OF THE DRAWING IS ESTABLISHED BY LAW. IT IS FORBIDDEN TO PRODUCE OR SHOW IT TO THIRD PART. WITHOUT A WRITTEN AGREEMENT.

Item	Name	Q.ty
1	ANS.30	1
2	R.5.SCH	1
3	V.TCE5x35	1



Format A4 UNI 936-76	 FPSERVICES AUTOMATION			DESIGNED FROM FPS Automation	REVIEW A
	GENERAL TOLERANCE UNI - ISO 2768 CLASSE f	DESCRIPTION CA.ANS.30		DATE 02/05/2019	WEIGHT 0,025kg
				CODE CA.ANS.30	